

# 2-unit to 8-unit Multi-split Connectable Indoor Units



Type	2-unit		3-unit		4-unit	5-unit
Model name	AOYG14KBT2	AOYG18KBT2	AOYG18KBT3	AOYG24KBT3	AOYG30KBT4	AOYG36KBT5
Multi-split Type Outdoor Unit						
Capacity (kW)	Cooling: 4.0 Heating: 4.4	Cooling: 5.0 Heating: 5.6	Cooling: 5.4 Heating: 6.8	Cooling: 6.8 Heating: 8.0	Cooling: 8.0 Heating: 9.6	Cooling: 9.5 Heating: 10.6

Indoor Unit	BTU	kW Class	2-unit	3-unit	4-unit	5-unit
	7,000	2.0	●	●	●	●
ASYG07/09/12/14KGT	9,000	2.5	●	●	●	●
	12,000	3.5	●	●	●	●
ASYG07/09/12/14KMCE	14,000	4.0	—	●	●	●
	18,000	5.0	—	—	●	●
ASYG18/22/24KMTE	22,000	6.0	—	—	—	●
	24,000	7.0	—	—	—	●
	9,000	2.5	●	●	●	●
	12,000	3.5	●	●	●	●
	14,000	4.0	—	●	●	●
	7,000	2.0	●	●	●	●
	9,000	2.5	●	●	●	●
	12,000	3.5	●	●	●	●
	14,000	4.0	—	●	●	●
	18,000	5.0	—	—	●	●
	22,000	6.0	—	—	—	●
	7,000	2.0	●	●	●	●
	9,000	2.5	●	●	●	●
	12,000	3.5	●	●	●	●
	14,000	4.0	—	●	●	●
	18,000	5.0	—	—	●	●
	7,000	2.0	●	●	●	●
	9,000	2.5	●	●	●	●
	12,000	3.5	●	●	●	●
	14,000	4.0	—	●	●	●
	18,000	5.0	—	—	●	●
	22,000	6.0	—	—	—	●
	18,000	5.0	—	—	●	●
	22,000	6.0	—	—	—	●



Type	6-unit	8-unit
Model name	AOYG45LBA6	AOYG45LBT8
Multi-split Type Outdoor Unit		
Capacity (kW)	Cooling: 12.5 Heating: 13.5	Cooling: 14.0 Heating: 16.0

Indoor Unit	BTU	kW Class	6-unit	8-unit
	7,000	2.0	●	●
	9,000	2.5	●	●
	12,000	3.5	●	●
	14,000	4.0	●	●
	18,000	5.0	●	●
	24,000	7.0	●	●
	9,000	2.5	●	●
	12,000	3.5	●	●
	14,000	4.0	●	●
	7,000	2.0	●	●
	9,000	2.5	●	●
	12,000	3.5	●	●
	14,000	4.0	●	●
	18,000	5.0	●	●
	14,000	4.0	●	●
	18,000	5.0	●	●
	7,000	2.0	●	—
	9,000	2.5	●	—
	12,000	3.5	●	—
	14,000	4.0	●	—
	18,000	5.0	●	—
	7,000	2.0	●	●
	9,000	2.5	●	●
	12,000	3.5	●	●
	14,000	4.0	●	●
	18,000	5.0	●	●

2-unit: AOYG14KBT2/AOYG18KBT2  
 3-unit: AOYG18KBT3/AOYG24KBT3  
 4-unit: AOYG30KBT4  
 5-unit: AOYG36KBT5



**Specifications (2-unit)**

Model name		AOYG14KBT2		AOYG18KBT2	
Power Source					
Single phase, ~230 V, 50 Hz					
Rated Capacity (Min. - Max.)	Cooling	4.0 (1.4-4.6)		5.0 (1.7-5.8)	
	Heating	4.4 (1.1-5.5)		5.6 (1.8-6.6)	
EER	Cooling	4.12		4.03	
	Heating	4.63		4.59	
COP	Cooling	4.7		4.7	
	Heating	49		50	
Sound Pressure Level (High)	Cooling	60		60	
	Heating	62		62	
Airflow Rate	Cooling/Heating	1,670/1,670		1,960/2,020	
Net Dimensions H x W x D		542 x 799 x 290		632 x 799 x 290	
Weight		33 (73)		33 (82)	
		6.35 x 2		6.35 x 2	
Connection Pipe Diameter	Liquid	9.52 x 2		9.52 x 2	
	Gas	30/20		30/20	
Max. Pipe Length	Total/Each	15		15	
		10		10	
Max. Height Difference	Between Outdoor Unit and Each Indoor Unit	-10 to 46		-10 to 46	
	Between Indoor Units	-15 to 24		-15 to 24	
Operating Range	Cooling	R32 (675)		R32 (675)	
	Heating	0.9 (0.608)		1.02 (0.689)	
Refrigerant	Type (Global Warming Potential)	R32 (675)		R32 (675)	
	Charge	kg (CO2eq-T)		kg (CO2eq-T)	

**Specifications (3-unit)**

Model name		AOYG18KBT3		AOYG24KBT3	
Power Source					
Single phase, ~230 V, 50 Hz					
Rated Capacity (Min. - Max.)	Cooling	5.4 (1.8-7.0)		6.8 (1.8-8.5)	
	Heating	6.8 (2.0-8.0)		8.0 (2.0-9.2)	
EER	Cooling	4.78		3.90	
	Heating	4.89		4.40	
COP	Cooling	4.6		4.8	
	Heating	49		53	
Sound Pressure Level (High)	Cooling	61		61	
	Heating	61		67	
Airflow Rate	Cooling/Heating	2,220/2,160		2,270/2,730	
Net Dimensions H x W x D		716 x 820 x 315		716 x 820 x 315	
Weight		46 (102)		46 (102)	
		6.35 x 3		6.35 x 3	
Connection Pipe Diameter	Liquid	9.52 x 3		9.52 x 2, 12.70 x 1	
	Gas	50/25		adapter [12.70 → 9.52] x 1	
Max. Pipe Length	Total/Each	15		15	
		10		10	
Max. Height Difference	Between Outdoor Unit and Each Indoor Unit	-10 to 46		-10 to 46	
	Between Indoor Units	-15 to 24		-15 to 24	
Operating Range	Cooling	R32 (675)		R32 (675)	
	Heating	1.8 (1.215)		1.8 (1.215)	
Refrigerant	Type (Global Warming Potential)	R32 (675)		R32 (675)	
	Charge	kg (CO2eq-T)		kg (CO2eq-T)	

**Specifications (4-unit, 5-unit)**

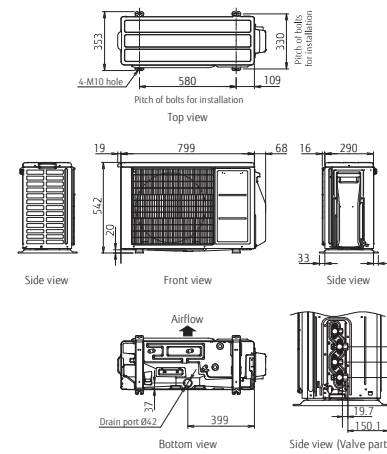
Model name		AOYG30KBT4		AOYG36KBT5	
Power Source					
Single phase, ~230 V, 50 Hz					
Rated Capacity (Min. - Max.)	Cooling	8.0 (2.4-10.1)		9.5 (3.0-11.0)	
	Heating	9.6 (3.0-11.2)		10.6 (3.5-12.0)	
EER	Cooling	3.90		3.80	
	Heating	4.55		4.50	
COP	Cooling	50		52	
	Heating	54		55	
Sound Pressure Level (High)	Cooling	63		65	
	Heating	66		68	
Airflow Rate	Cooling/Heating	2,400/2,950		2,450/2,900	
Net Dimensions H x W x D		884 x 820 x 315		884 x 820 x 315	
Weight		55 (121)		59 (130)	
		6.35 x 4		6.35 x 5	
Connection Pipe Diameter	Liquid	9.52 x 2, 12.70 x 2		9.52 x 3, 12.70 x 2	
	Gas	adapter [12.70 → 9.52] x 2		adapter [12.70 → 9.52] x 2	
Max. Pipe Length*	Total/Each	75/25		75/25	
		15		15	
Max. Height Difference	Between Outdoor Unit and Each Indoor Unit	10		10	
	Between Indoor Units	-10 to 46		-10 to 46	
Operating Range	Cooling	-15 to 24		-15 to 24	
	Heating	R32 (675)		R32 (675)	
Refrigerant	Type (Global Warming Potential)	2.2 (1.485)		2.5 (1.688)	
	Charge	kg (CO2eq-T)		kg (CO2eq-T)	

\*Length not applicable when floor units are connected. For details, refer to the installation manual.

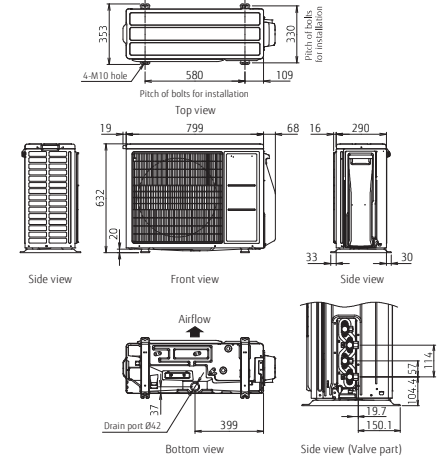
**Dimensions**

(Unit: mm)

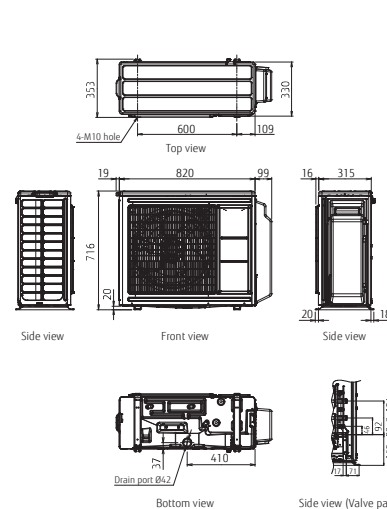
**2-unit: AOYG14KBT2**



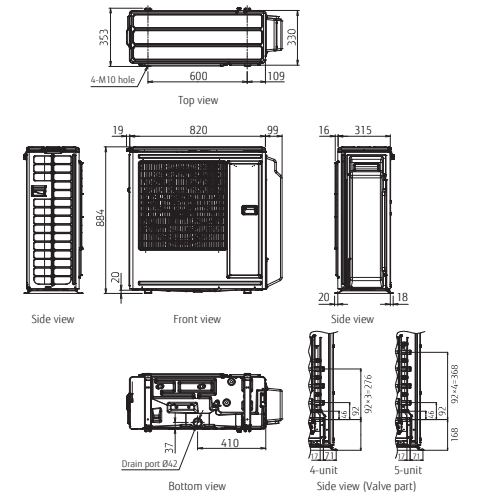
**2-unit: AOYG18KBT2**



**3-unit: AOYG18KBT3/AOYG24KBT3**



**4-unit: AOYG30KBT4  
5-unit: AOYG36KBT5**





# 2-unit to 5-unit Multi-split Indoor Units Specifications

### Wall-mounted type

Model name	Indoor unit			
kW Class	kW			
Power Source	Single phase, ~230 V, 50 Hz			
Sound Pressure Level	38/33/29/21	40/34/29/21	40/35/30/21	43/36/30/21
Sound Power Level	41/35/31/22	42/36/31/22	42/38/33/22	44/39/33/24
Level	54	55	56	57
Level	56	57	58	59
Airflow Rate	650/540/430/270	700/560/430/270	700/560/430/270	770/600/450/280
Net Dimensions	270 × 834 × 215	750/610/470/330	770/640/520/330	800/660/520/340
Weight	10 (22)	10 (22)	10 (22)	10 (22)
Connection Pipe Diameter	6.35/9.52	6.35/9.52	6.35/9.52	6.35/9.52



### Wall-mounted type

Model name	Indoor unit			
kW Class	kW			
Power Source	Single phase, ~230 V, 50 Hz			
Sound Pressure Level	38/33/29/21	40/34/29/21	40/35/30/21	43/36/30/21
Sound Power Level	41/35/31/22	42/36/31/22	42/38/33/22	44/39/33/24
Level	54	55	55	57
Level	56	57	58	59
Airflow Rate	650/540/430/270	700/560/430/270	700/560/430/270	770/600/450/280
Net Dimensions	295 × 950 (wall side: 840) × 230	295 × 950 (wall side: 840) × 230	295 × 950 (wall side: 840) × 230	295 × 950 (wall side: 840) × 230
Weight	11(24)	11(24)	11(24)	11(25)
Connection Pipe Diameter	6.35/9.52	6.35/9.52	6.35/9.52	6.35/9.52



### Wall-mounted type

Model name	Indoor unit			
kW Class	kW			
Power Source	Single phase, ~230 V, 50 Hz			
Sound Pressure Level	38/33/29/21	40/34/29/21	40/35/30/21	43/36/30/21
Sound Power Level	41/35/31/22	42/36/31/22	42/38/33/22	44/39/33/24
Level	54	55	55	57
Level	56	57	58	59
Airflow Rate	650/540/430/320	700/560/430/320	700/560/430/320	770/600/450/310
Net Dimensions	270 × 834 × 222	750/610/470/330	770/640/520/330	820/660/520/340
Weight	10 (22)	10 (22)	10 (22)	10 (22)
Connection Pipe Diameter	6.35/9.52	6.35/9.52	6.35/9.52	6.35/9.52



### Wall-mounted type

Model name	Indoor unit			
kW Class	kW			
Power Source	Single phase, ~230 V, 50 Hz			
Sound Pressure Level	45/40/35/29	48/40/35/29	49/40/35/29	49/40/35/29
Sound Power Level	46/40/35/29	48/40/35/29	49/40/35/29	49/40/35/29
Level	60	62	65	65
Level	61	62	58	58
Airflow Rate	980/810/640/510	1,060/810/640/510	1,170/850/640/510	1,170/850/640/510
Net Dimensions	1,020/850/640/510	1,060/850/640/510	1,170/850/640/510	1,170/850/640/510
Weight	280 × 980 × 240	280 × 980 × 240	280 × 980 × 240	280 × 980 × 240
Connection Pipe Diameter	6.35/12.70	6.35/12.70	6.35/12.70	6.35/12.70



### Floor

Model name	Indoor unit			
kW Class	kW			
Power Source	Single phase, ~230 V, 50 Hz			
Sound Pressure Level	39/34/28/22	42/36/30/22	44/38/31/22	44/38/31/22
Sound Power Level	39/35/30/22	42/38/32/22	44/39/33/22	44/39/33/22
Level	52	55	56	56
Level	52	55	56	56
Airflow Rate	530/440/360/270	600/490/380/270	650/520/400/270	650/520/400/270
Net Dimensions	600 × 740 × 200	600 × 740 × 200	600 × 740 × 200	600 × 740 × 200
Weight	14 (31)	14 (31)	14 (31)	14 (31)
Connection Pipe Diameter	6.35/9.52	6.35/9.52	6.35/9.52	6.35/9.52



### Ceiling

Model name	Indoor unit			
kW Class	kW			
Power Source	Single phase, ~230 V, 50 Hz			
Sound Pressure Level	38/36/33/31	38/36/33/31	42/37/34/31	42/37/34/31
Sound Power Level	38/36/33/31	38/36/33/31	42/37/34/31	42/37/34/31
Level	53	53	57	57
Level	53	53	57	57
Airflow Rate	840/790/710/650	840/790/710/650	900/790/710/650	900/790/710/650
Net Dimensions	235 × 1,080 × 705	235 × 1,080 × 705	235 × 1,080 × 705	235 × 1,080 × 705
Weight	24(52)	24(52)	24(52)	24(52)
Connection Pipe Diameter	6.35/12.70	6.35/12.70	6.35/12.70	6.35/12.70



### Compact Cassette Grid Type

Model name	Indoor unit			
kW Class	kW			
Power Source	Single phase, ~230 V, 50 Hz			
Sound Pressure Level	33/31/29/27	33/31/29/27	37/34/31/28	38/35/32/29
Sound Power Level	34/32/29/27	34/32/29/27	37/34/31/29	43/38/34/30
Level	46	46	49	50
Level	47	47	49	55
Airflow Rate	540/490/440/390	540/490/440/390	610/530/470/410	680/580/490/410
Net Dimensions	245 × 570 × 570	245 × 570 × 570	245 × 570 × 570	245 × 570 × 570
Weight	15 (33)	15 (33)	15 (33)	15 (33)
Connection Pipe Diameter	6.35/9.52	6.35/9.52	6.35/9.52	6.35/9.52



### Mini duct

Model name	Indoor unit			
kW Class	kW			
Power Source	Single phase, ~230 V, 50 Hz			
Sound Pressure Level	29/26/24/23	29/26/24/23	31/27/25/23	35/30/27/23
Sound Power Level	29/26/24/23	29/26/24/23	31/27/25/23	35/30/27/23
Level	52	54	55	60
Level	53	56	57	62
Airflow Rate	550/440/390/360	600/450/400/360	650/490/430/360	800/640/530/360
Net Dimensions	198 × 700 × 450	198 × 700 × 450	198 × 700 × 450	198 × 700 × 450
Weight	15.5 (34)	15.5 (34)	15.5 (34)	18.5 (40)
Connection Pipe Diameter	6.35/9.52	6.35/9.52	6.35/9.52	6.35/9.52
External static pressure	0 to 30	0 to 30	0 to 30	0 to 50
Drain pump	Standard	Standard	Standard	Standard



### Slim duct

Model name	Indoor unit			
kW Class	kW			
Power Source	Single phase, ~230 V, 50 Hz			
Sound Pressure Level	28/26/25/24	28/27/26/25	29/28/27/26	32/30/28/26
Sound Power Level	28/26/25/24	28/26/25/24	29/28/27/26	32/30/28/26
Level	57	57	58	60
Level	57	57	58	60
Airflow Rate	550/490/470/440	600/550/500/450	650/600/550/480	800/700/600/480
Net Dimensions	198 × 700 × 620	198 × 700 × 620	198 × 700 × 620	198 × 700 × 620
Weight	16 (35)	17 (37)	17 (37)	20 (44)
Connection Pipe Diameter	6.35/9.52	6.35/9.52	6.35/9.52	6.35/12.70
External static pressure	0 to 90	0 to 90	0 to 90	0 to 90
Drain pump	Standard	Standard	Standard	Standard



### Medium Static Pressure Duct

Model name	Indoor unit			
kW Class	kW			
Power Source	Single phase, ~230 V, 50 Hz			
Sound Pressure Level	31/29/27/25	31/29/27/25	62	1,100/910/750/580
Sound Power Level	31/29/27/25	31/29/27/25	60	1,100/910/750/580
Level	62	62	62	270 × 1,135 × 700
Level	62	62	62	35 (77)
Airflow Rate	650/500/450/360	600/550/500/450	650/600/550/480	800/700/600/480
Net Dimensions	600 × 740 × 200	600 × 740 × 200	600 × 740 × 200	600 × 740 × 200
Weight	14 (31)	14 (31)	14 (31)	14 (31)
Connection Pipe Diameter	6.35/9.52	6.35/9.52	6.35/9.52	6.35/12.70
External static pressure	0 to 90	0 to 90	0 to 90	30 to 150
Drain pump	Standard	Standard	Standard	Standard





5-unit Multi-split Combination Table-cooling

5-unit Multi-split cooling

Table with columns for AOYG36KBTA5, Combination of Indoor Units, Cooling Capacity, Cooling Operation, Input Power, EER, Pdesign, SEER, Energy efficiency. It lists various indoor unit combinations for 2-unit, 3-unit, and 4-unit connections.

5-unit Multi-split cooling

Table with columns for AOYG36KBTA5, Combination of Indoor Units, Cooling Capacity, Cooling Operation, Input Power, EER, Pdesign, SEER, Energy efficiency. It lists various indoor unit combinations for 4-unit and 5-unit connections.

Notes: \*7: 2000 Btu/h/9: 9000 Btu/h/12: 12000 Btu/h/14: 14000 Btu/h/18: 18000 Btu/h/22: 22000 Btu/h/24: 24000 Btu/h models

- The above specifications apply when connected with a wall-mounted unit.
•2 or more indoor units should be connected.
•Cooling capacity is determined based on 27°CDB/19°CWB (indoor temperature) and 35°CDB (outdoor temperature).
•Pipe length: 5 m. Height difference: 0 m (Outdoor unit to Indoor unit)
•Total capacity of indoor units connected must be between 7.5 kW and 15.5 kW.
\*1: For Model Z2, only wall-mounted indoor units are connectable.

