

# 2-unit to 8-unit Multi-split Connectable Indoor Units



Type	2-unit		3-unit		4-unit	5-unit
Model name	AOYG14KBT2	AOYG18KBT2	AOYG18KBT3	AOYG24KBT3	AOYG30KBT4	AOYG36KBT5
Multi-split Type Outdoor Unit						
Capacity (kW)	Cooling: 4.0 Heating: 4.4	Cooling: 5.0 Heating: 5.6	Cooling: 5.4 Heating: 6.8	Cooling: 6.8 Heating: 8.0	Cooling: 8.0 Heating: 9.6	Cooling: 9.5 Heating: 10.6

Indoor Unit	BTU	kW Class	2-unit	3-unit	4-unit	5-unit
ASYG07/09/12/14KGT	7,000	2.0	●	●	●	●
ASYG07/09/12/14KETE	9,000	2.5	●	●	●	●
ASYG07/09/12/14KMCE	12,000	3.5	●	●	●	●
ASYG07/09/12/14KETE-B	14,000	4.0	—	●	●	●
ASYG18/22/24KMTE	18,000	5.0	—	—	●	●
	22,000	6.0	—	—	—	●
	24,000	7.0	—	—	—	●
AGYG09/12/14KVCA	9,000	2.5	●	●	●	●
	12,000	3.5	●	●	●	●
	14,000	4.0	—	●	●	●
AUXG07/09/12/14/18/22KVLV	7,000	2.0	●	●	●	●
	9,000	2.5	●	●	●	●
	12,000	3.5	●	●	●	●
	14,000	4.0	—	●	●	●
	18,000	5.0	—	—	●	●
	22,000	6.0	—	—	—	●
ARXG07/09/12/14/18KSLAP	7,000	2.0	●	●	●	●
	9,000	2.5	●	●	●	●
	12,000	3.5	●	●	●	●
	14,000	4.0	—	●	●	●
	18,000	5.0	—	—	●	●
ARXG07/09/12/14/18KLLAP	7,000	2.0	●	●	●	●
	9,000	2.5	●	●	●	●
	12,000	3.5	●	●	●	●
	14,000	4.0	—	●	●	●
	18,000	5.0	—	—	●	●
ARXG22KMLB	22,000	6.0	—	—	—	●
ABYG18/22KRTA	18,000	5.0	—	—	●	●
	22,000	6.0	—	—	—	●



Type	6-unit	8-unit
Model name	AOYG45LBA6	AOYG45LBT8
Multi-split Type Outdoor Unit		
Capacity (kW)	Cooling: 12.5 Heating: 13.5	Cooling: 14.0 Heating: 16.0

Indoor Unit	BTU	kW Class	6-unit	8-unit
ASYG07/09/12/14LMCE	7,000	2.0	●	●
	9,000	2.5	●	●
ASYG07/09/12/14LUCA	12,000	3.5	●	●
	14,000	4.0	●	●
ASYG18/24LF	18,000	5.0	●	●
	24,000	7.0	●	●
AGYG09/12/14LV	9,000	2.5	●	●
	12,000	3.5	●	●
	14,000	4.0	●	●
AUYG07/09/12/14/18LV	7,000	2.0	●	●
	9,000	2.5	●	●
	12,000	3.5	●	●
	14,000	4.0	●	●
	18,000	5.0	●	●
ABYG14LVTA	14,000	4.0	●	●
ABYG18LVTB	18,000	5.0	●	●
ARYG07/09/12/14/18LSLAP	7,000	2.0	●	—
	9,000	2.5	●	—
	12,000	3.5	●	—
	14,000	4.0	●	—
	18,000	5.0	●	—
ARYG07/09/12/14/18LL	7,000	2.0	●	●
	9,000	2.5	●	●
	12,000	3.5	●	●
	14,000	4.0	●	●
	18,000	5.0	●	●

2-unit: AOYG14KBT2/AOYG18KBT2  
 3-unit: AOYG18KBT3/AOYG24KBT3  
 4-unit: AOYG30KBT4  
 5-unit: AOYG36KBT5



**Specifications (2-unit)**

Model name		AOYG14KBT2		AOYG18KBT2	
Power Source					
Single phase, ~230 V, 50 Hz					
Rated Capacity (Min. - Max.)	Cooling	4.0 (1.4-4.6)		5.0 (1.7-5.8)	
	Heating	4.4 (1.1-5.5)		5.6 (1.8-6.6)	
EER	Cooling	4.12		4.03	
	Heating	4.63		4.59	
COP	Cooling	4.7		4.7	
	Heating	49		50	
Sound Pressure Level (High)	Cooling	60		60	
	Heating	62		62	
Airflow Rate	Cooling/Heating	1,670/1,670		1,960/2,020	
Net Dimensions H x W x D		542 x 799 x 290		632 x 799 x 290	
Weight		33 (73)		33 (82)	
		33 (82)		33 (82)	
Connection Pipe Diameter	Liquid	6.35 x 2		6.35 x 2	
	Gas	9.52 x 2		9.52 x 2	
Max. Pipe Length	Total/Each	30/20		30/20	
		15		15	
Max. Height Difference	Between Outdoor Unit and Each Indoor Unit	10		10	
	Between Indoor Units	10		10	
Operating Range	Cooling	-10 to 46		-10 to 46	
	Heating	-15 to 24		-15 to 24	
Refrigerant	Type (Global Warming Potential)	R32 (675)		R32 (675)	
	Charge	0.9 (0.608)		1.02 (0.689)	

**Specifications (3-unit)**

Model name		AOYG18KBT3		AOYG24KBT3	
Power Source					
Single phase, ~230 V, 50 Hz					
Rated Capacity (Min. - Max.)	Cooling	5.4 (1.8-7.0)		6.8 (1.8-8.5)	
	Heating	6.8 (2.0-8.0)		8.0 (2.0-9.2)	
EER	Cooling	4.78		3.90	
	Heating	4.89		4.40	
COP	Cooling	4.6		4.8	
	Heating	49		53	
Sound Pressure Level (High)	Cooling	61		61	
	Heating	61		67	
Airflow Rate	Cooling/Heating	2,220/2,160		2,270/2,730	
Net Dimensions H x W x D		716 x 820 x 315		716 x 820 x 315	
Weight		46 (102)		46 (102)	
		46 (102)		46 (102)	
Connection Pipe Diameter	Liquid	6.35 x 3		6.35 x 3	
	Gas	9.52 x 3		9.52 x 2, 12.70 x 1 adapter [12.70 → 9.52] x 1	
Max. Pipe Length	Total/Each	50/25		50/25	
		15		15	
Max. Height Difference	Between Outdoor Unit and Each Indoor Unit	10		10	
	Between Indoor Units	10		10	
Operating Range	Cooling	-10 to 46		-10 to 46	
	Heating	-15 to 24		-15 to 24	
Refrigerant	Type (Global Warming Potential)	R32 (675)		R32 (675)	
	Charge	1.8 (1.215)		1.8 (1.215)	

**Specifications (4-unit, 5-unit)**

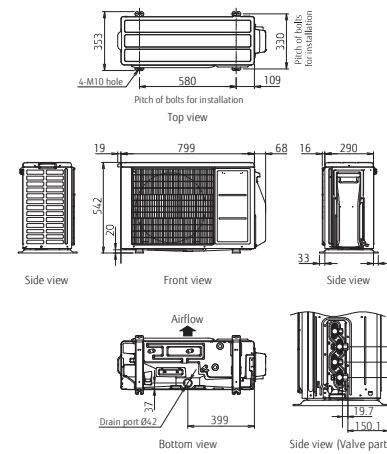
Model name		AOYG30KBT4		AOYG36KBT5	
Power Source					
Single phase, ~230 V, 50 Hz					
Rated Capacity (Min. - Max.)	Cooling	8.0 (2.4-10.1)		9.5 (3.0-11.0)	
	Heating	9.6 (3.0-11.2)		10.6 (3.5-12.0)	
EER	Cooling	3.90		3.80	
	Heating	4.55		4.50	
COP	Cooling	5.0		5.2	
	Heating	54		55	
Sound Pressure Level (High)	Cooling	63		65	
	Heating	66		68	
Airflow Rate	Cooling/Heating	2,400/2,950		2,450/2,900	
Net Dimensions H x W x D		884 x 820 x 315		884 x 820 x 315	
Weight		55 (121)		59 (130)	
		55 (121)		59 (130)	
Connection Pipe Diameter	Liquid	6.35 x 4		6.35 x 5	
	Gas	9.52 x 2, 12.70 x 2 adapter [12.70 → 9.52] x 2		9.52 x 3, 12.70 x 2 adapter [12.70 → 9.52] x 2 adapter [9.52 → 12.70] x 1	
Max. Pipe Length*	Total/Each	70/25		75/25	
		15		15	
Max. Height Difference	Between Outdoor Unit and Each Indoor Unit	10		10	
	Between Indoor Units	10		10	
Operating Range	Cooling	-10 to 46		-10 to 46	
	Heating	-15 to 24		-15 to 24	
Refrigerant	Type (Global Warming Potential)	R32 (675)		R32 (675)	
	Charge	2.2 (1.485)		2.5 (1.688)	

\*Length not applicable when floor units are connected. For details, refer to the installation manual.

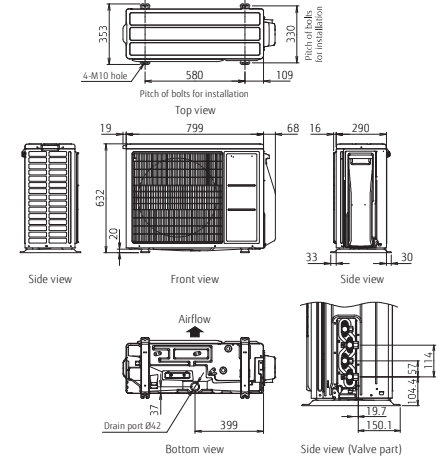
**Dimensions**

(Unit: mm)

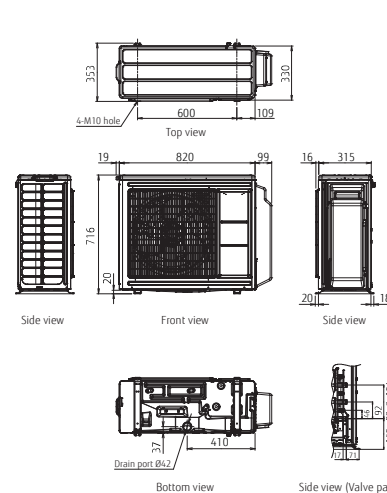
**2-unit: AOYG14KBT2**



**2-unit: AOYG18KBT2**



**3-unit: AOYG18KBT3/AOYG24KBT3**



**4-unit: AOYG30KBT4  
5-unit: AOYG36KBT5**

